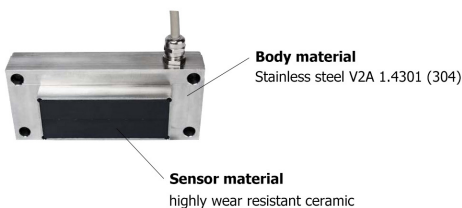
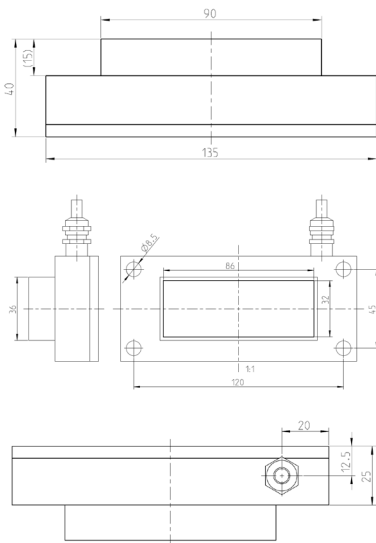


MOISTURE PROBE SONO-MIX Mini



Drawing



Features

- Thank to its extremely compact dimensions, this robust mixer probe is ideal for intergration in the scraper of intensive mixers
- Ideal for measurements in all conventional concretes and highly abrasive bulk solids like for example 8-32mm gravel and
- The probe head consists of strongly abrasion-resistant, hardened steel with a rectangular ceramic window and it is interchangeable
- Precise measurement also under extreme conditions
- Fast and easy to build in even in screw conveyors, mobile truck mixers and others
- In case of abrasion at probe head an automatic correction of the measuring value happens – without recalibration
- TRIME®-TDR Winner of multiple awards. Innovation awards, such as the Bauma Innovation Award 2016 and DLG Approved certification from the German Agricultural Society (DLG - 2018) it is unaffected by steam or changing particle sizes of sand and gravel

Technical data

- Moisture range :** 0...100% H₂O (depending on materials)
Accuracy : 0.1 %H₂O (within the calibration range)
Conductivity range : 0...20 mS/cm (The conductivity range is reduced in moisture measurement ranges >50%)
Measuring technology : TRIME® (Time-Domain-Reflectometry with Intelligent Micromodule Elements)
Measuring principle : radar wave frequency 600MHz to 1.2 GHz
Temperature range : 0...+70°C
Field expansion range : approx. 50...80 mm (depending on material and moisture)
Signal output : 2 x 0(4)...20 mA

Analog output 1	moisture in %
Analog output 2	conductivity or temperature

- Communication :** IMP-Bus
Power supply : 12...24Vdc, 3W
Connector plug : 8-pole cables
Body material : stainless steel V2A 1.4301 (304)
Sensor material : highly wear resistant ceramic
Dimension : 135 x 60 x 40 mm
Protection class : IP67

www.omi.co.th

Omega Measuring Instrument Co., Ltd.

Tel : 02-105-4676
 Fax : 02-903-0080 ext. 6867
 Email : info@omi.co.th
 Line : @omith

AVAILABLE MATERIALS for SONO-MIX Mini

The SONO-MIX Mini Xtrem is suited for measuring of all conventional concrete and high abrasive materials.

- **All conventional concrete**



Ordinary concrete



Lightweight concrete



High density concrete



Glass reinforcement concrete



Polymer concrete



Smart concrete



Furthermore, these materials that are shown, please do not hesitate to contact us for consulting

- **Sand, gravel and minerals** (grain size up to 32mm)

For example...



Fine sand



Sand



Gravel



Quartz sand



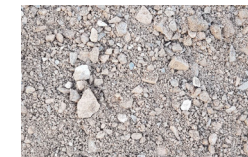
Lime stone



Ceramic powder



Stone coal



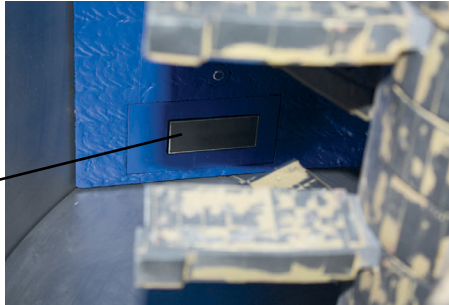
Different aggregates and others

MOISTURE PROBE

INSTALLATION EXAMPLE SONO-MIX Mini

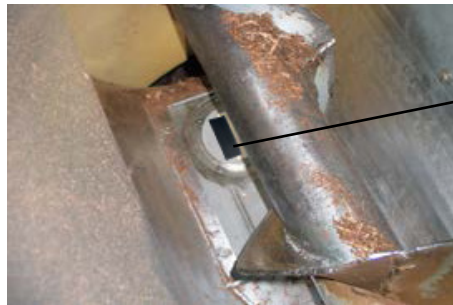
- Intensive Mixer

SONO-MIX Mini



- Screw conveyors

SONO-MIX Mini



- Mobile truck mixer

The SONO-MIX Mini can use with mobile truck mixer because it just used power supply in 12..24Vdc



***note ; The moisture probe, SONO-MIX Mini. It is able to install various position. So, the installation of probe depend on conditions and structure of working place. The more installation correctly, the more effective of moisture probe.*

www.omi.co.th

Omega Measuring Instrument Co., Ltd.

Tel : 02-105-4676

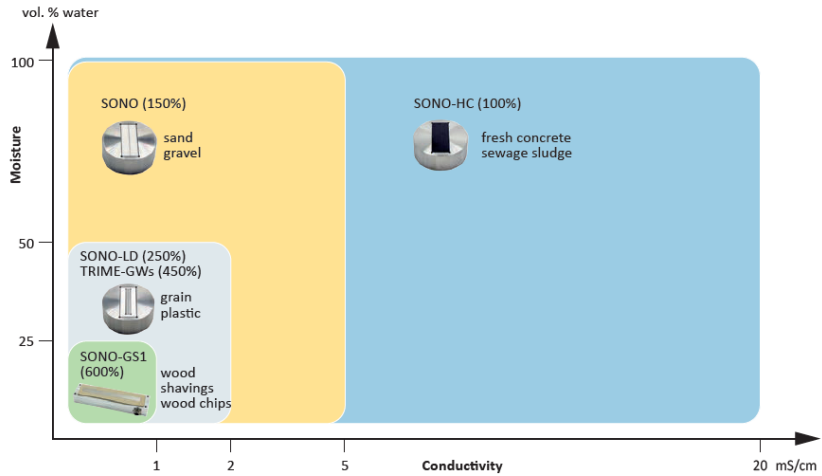
Fax : 02-903-0080 ext. 6867

Email : info@omi.co.th

Line : @omith

SONO SENSOR APPLICATION

Depending on the group, SONO sensors differ in resolution and measuring range. The higher the conductivity range of a sensor, the lower the resolution or the performance characteristics. Use the following diagram to help you choose sensor.



The sensitivity of the individual sensor series in comparison to SONO-HC is marked in brackets

Ordering code

SONO - MIX Mini -

LD : Low density version
Moisture 0...50% water
Conductivity 0...2 mS/cm

- : Standard version
Moisture 0...100% water,
Conductivity 0...5 mS/cm

HC : High electrical conductivity
Moisture 0...100% water,
Conductivity 0...20 mS/cm

Example : SONO-MIX Mini - HC
Moisture probe sensor high electrical conductivity version, moisture range 0...100% water, material's conductivity 0...20 mS/cm

ACCESSORIES for SONO-MIX Mini

These are necessary equipments that using with products and increase efficiency.

SM-USB : SM-USB is the signal transmitter. it can connect your SONO probes with a PC and setting, adjustment, calibration by SONO-CONFIG software.



Sensor cable : The connection cables with MIL connectors are available in cable lengths.

308029 : Cable length of 4 meters

308032 : Cable length of 10 meters

308033 : Cable length of 25 meters



SONO-VIEW : SONO-View is a display and configuration for advanced process control with TRIME and SONO probes. Up to 4 probes can be connected via serial interface for displaying the measured values, setting of operation mode, calibration curves and other functions.



SONO-CONFIG : SONO-CONFIG it is possible to make process-related adjustments of individual parameters of the SONO probe. Furthermore the measurement values of the SONO probe can be read from the probe via the serial interface and displayed on the screen.

